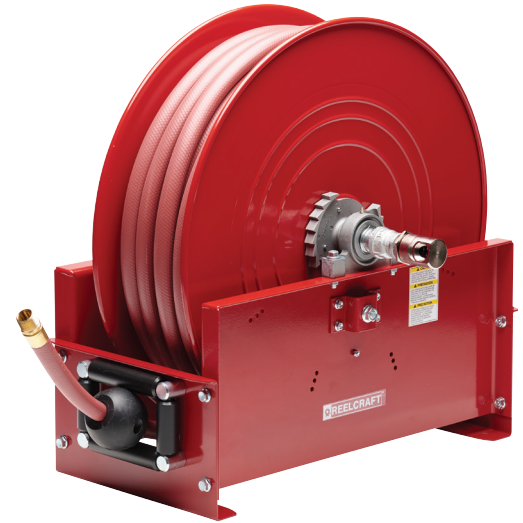


# Operating Instructions

## Series E9000 Spring Driven Hose Reels

Model Numbers:

[E9200 OLPBW](#)   [E9350 OLPBW](#)   [E9450 OLPBW](#)   [E9400 OMPBW](#)  
[E9275 OLPBW](#)   [E9375 OLPBW](#)   [E9200 OMPBW](#)   [FE9350 OLPBW](#)  
[E9299 OLPBW](#)   [E9399 OLPBW](#)   [E9275 OMPBW](#)   [FE9400 OLPBW](#)  
[E9305 OLPBW](#)   [E9400 OLPBW](#)   [E9300 OMPBW](#)   [FE9450 OLPBW](#)  
[E9305 OLBW](#)   [E9400 OLBW](#)   [E9350 OMPBW](#)



### Dimensions Size Index

		<b>1</b>	<b>2</b>
	<b>A</b>	26 3/8"	26 3/8"
	<b>B</b>	26 1/4"	26 1/4"
	<b>C</b>	22 1/4"	22 1/4"
	<b>D</b>	7 3/4"	7 3/4"
	<b>E</b>	12"	13 3/8"
	<b>F</b>	24 1/8"	24 1/8"
<b>G</b>	4 3/4"	4 3/4"	

### SAFETY

1. Models designed for fuel are coded with the prefix "F" i.e., "FE9400 OLP." Check name plate on the reel before installing.
2. Do not use the reel at temperatures or pressures that exceed the ratings. Refer to Reelcraft.com for rating information.
3. Remove all spring tension before beginning disassembly process.
4. Reel spring motor case is permanently sealed. Any attempt to remove the Spring motor may cause serious injury.

#### INSTALLATION:

The swivel union is packed separately in the reel carton, use teflon tape to assure a satisfactory seal. A flexible hose connection must be used between the hose reel inlet and the source of supply to prevent possible misalignment and binding. Non flexible connections will void the warranty, pressure rating of inlet hose must be equal to or more than the pressure rating of the reel. Consult Reelcraft for proper spring when installing reels above 16 ft.

#### LUBRICATION:

Hose reel spring and bearings are factory lubricated and require no further lubrication.

#### REPLACING HOSE:

1. Wind spool flange clockwise-facing swivel-until spring is tight.
2. Back off three turns and latch.
3. Insert hose through roller guide.
4. Connect hose fitting to female outlet ell.

#### ADJUSTMENTS:

To adjust spring tension, add or remove wraps of hose from the spool, one wrap at a time until desired tension is obtained.

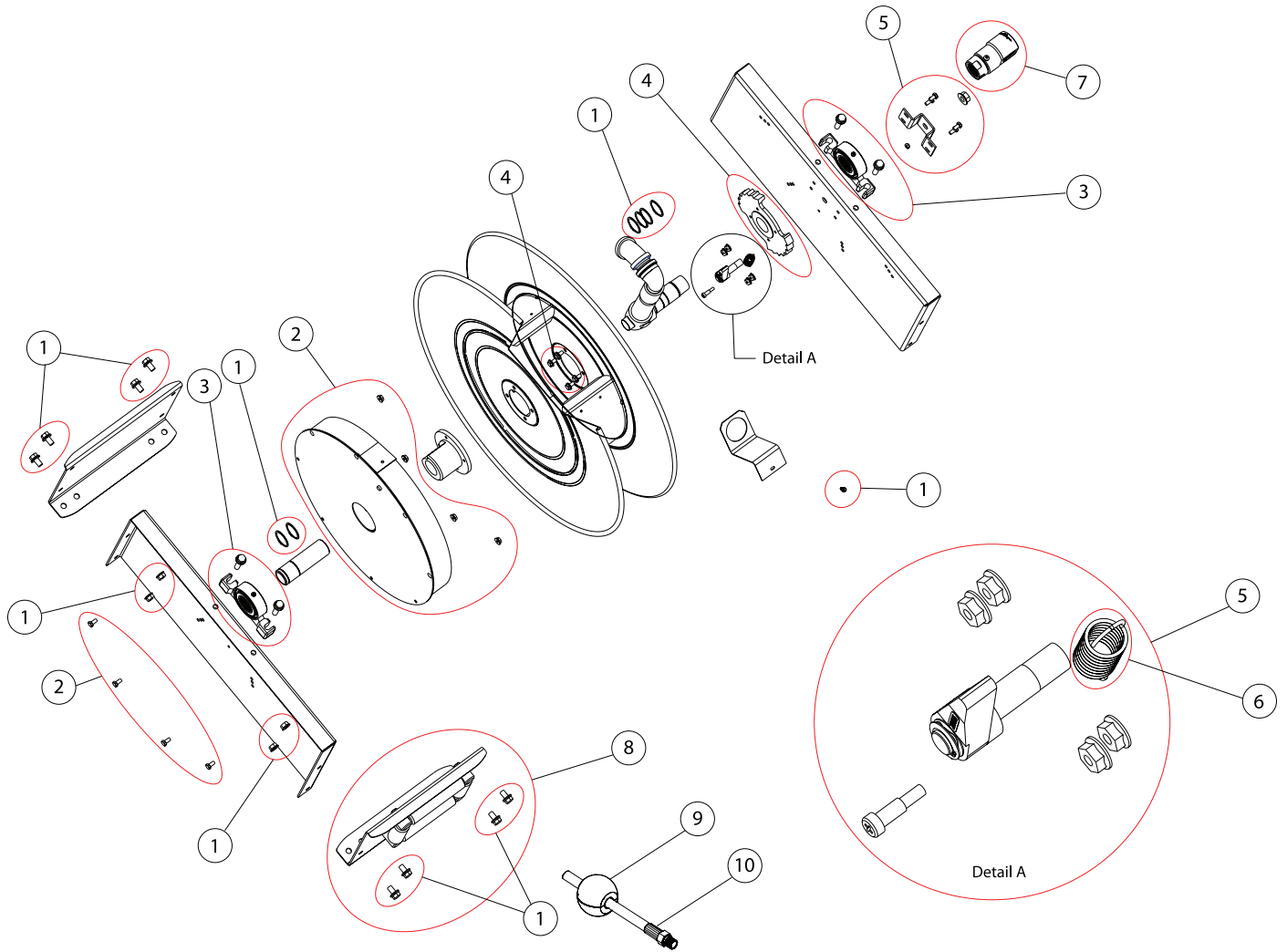
#### REPAIRS:

Extensive repairs should be performed only by an authorized serviceman or factory to avoid damage which may void your warranty. Remove all spring tension before beginning disassembly process.

#### MODIFICATION:

Hose latching mechanism can be removed for constant tension applications.

Form# 613-193 Rev: 3/2026



**Service Kits - General**

ITEM	DESCRIPTION	QTY.	PART #
1	HARDWARE KIT	1	S603008
	SERRATED FLANGE NUT 3/8-16	8	
	SERRATED FLANGE HEX CAP SCREW 3/8-16 x 5/8"	8	
	RETAINING RING (1-3/8" OD SHAFT x .05" THICK)	6	
	SELF TAPPING SCREW 10-32 x 3/8"	1	
3	BEARING ASSEMBLY KIT WITH HARDWARE	1	S600416
	PILLOW BLOCK ASSEMBLY	1	
	SERRATED FLANGE HEX CAP SCREW 3/8-16 x 1-3/4"	2	
	SERRATED FLANGE HEX NUT 3/8-16	2	
4	RATCHET KIT WITH HARDWARE	1	S260889
	LATCH RATCHET	1	
	HEX CAP SCREW 1/4-20 x 1/2"	4	
	SPLIT LOCK WASHER 1/4	4	

ITEM	DESCRIPTION	QTY.	PART #
5	LATCH PAWL KIT WITH HARDWARE	1	S600454
	LATCH PAWL ASSEMBLY	1	
	LATCH SPRING	1	
	SHOULDER SCREW 10-32	1	
	HEX NUT 10-32 NYLON LOCKING	1	
	LATCH BRACKET	1	
	SERRATED FLANGE NUT 1/4-20	4	
	HEX CAP SCREW 1/4-20 x 1/2"	4	
	FLANGE NUT 1/2-20	1	
6	LATCH SPRING ONLY	1	<u>S260067</u>

## Service Kits - Model Specific

ITEM	DESCRIPTION	QTY.	E9200 OLPBW	E9275 OLPBW	E9299 OLPBW	E9305 OLPBW	E9305 OLBW
2	DRIVE SPRING ASSEMBLY WITH HARDWARE	1	S600413-1	S600413-1	S602722	S602722	S602722
	DRIVE SPRING ASSEMBLY	1					
	HEX CAP SCREW 1/4-20 x 1/2"	4					
	SERRATED FLANGE NUT 1/4-20	4					
7	SWIVEL ASSEMBLY	1	S600924-1	S600924-1	S600924-1	S600344-1	<u>S602624-1</u>
8	ROLLER BRACKET KIT WITH HARDWARE	1	S600002	S600002	S600002	S602130	S602130
	ROLLER BRACKET ASSEMBLY	1					
	SERRATED FLANGE NUT 3/8-16	4					
	SERRATED FLANGE HEX CAP SCREW 3/8-16 x 5/8"	4					
9	BUMPER STOP ASSEMBLY	1	NONE	<u>S2-HR1005</u>	<u>S2-HR1005</u>	NONE	NONE
10	HOSE ASSEMBLY	1	NONE	S601020-75	<u>S601022-100</u>	NONE	NONE
---	DIMENSION INDEX NUMBER		1	1	2	2	2

ITEM	DESCRIPTION	QTY.	E9350 OLPBW	E9375 OLPBW	E9399 OLPBW	E9400 OLPBW	E9450 OLPBW
2	DRIVE SPRING ASSEMBLY WITH HARDWARE	1	S600413-2	S600413-2	S602722	S600413-2	S600413-2
	DRIVE SPRING ASSEMBLY	1					
	HEX CAP SCREW 1/4-20 x 1/2"	4					
	SERRATED FLANGE NUT 1/4-20	4					
7	SWIVEL ASSEMBLY	1	S600344-1	S600344-1	S600344-1	<u>S600682-1</u>	<u>S600682-1</u>
8	ROLLER BRACKET KIT WITH HARDWARE	1	S600002	S600002	S602130	S600002	S600002
	ROLLER BRACKET ASSEMBLY	1					
	SERRATED FLANGE NUT 3/8-16	4					
	SERRATED FLANGE HEX CAP SCREW 3/8-16 x 5/8"	4					
9	BUMPER STOP ASSEMBLY	1	<u>S3-HR1005</u>	<u>S3-HR1005</u>	<u>S3-HR1005</u>	NONE	<u>S4-HR1005</u>
10	HOSE ASSEMBLY	1	<u>S601034-50</u>	<u>S601034-75</u>	<u>S601026-100</u>	NONE	<u>S601027-50</u>
---	DIMENSION INDEX NUMBER		1	1	2	1	1

ITEM	DESCRIPTION	QTY.	E9400 OLBW	E9200 OMPBW	E9275 OMPBW	E9300 OMPBW	E9350 OMPBW
2	DRIVE SPRING ASSEMBLY WITH HARDWARE	1	S600413-2	S600413-1	S600413-1	S600413-2	S600413-2
	DRIVE SPRING ASSEMBLY	1					
	HEX CAP SCREW 1/4-20 x 1/2"	4					
	SERRATED FLANGE NUT 1/4-20	4					
7	SWIVEL ASSEMBLY	1	<u>S602218-1</u>	<u>S602033-1</u>	<u>S602033-1</u>	<u>S602026-1</u>	<u>S602026-1</u>
8	ROLLER BRACKET KIT WITH HARDWARE	1	S600002	S600002	S600002	S600002	S600002
	ROLLER BRACKET ASSEMBLY	1					
	SERRATED FLANGE NUT 3/8-16	4					
	SERRATED FLANGE HEX CAP SCREW 3/8-16 x 5/8"	4					
9	BUMPER STOP ASSEMBLY	1	NONE	NONE	<u>S2-HR1005</u>	NONE	<u>S3-HR1005</u>
10	HOSE ASSEMBLY	1	NONE	NONE	<u>S24-260043</u>	NONE	<u>S27-260043</u>
---	DIMENSION INDEX NUMBER		1	1	1	1	1

ITEM	DESCRIPTION	QTY.	E9400 OMPBW	FE9350 OLPBW	FE9400 OLPBW	FE9450 OLPBW
2	DRIVE SPRING ASSEMBLY WITH HARDWARE	1	S600413-2	S600413-2	S600413-2	S600413-2
	DRIVE SPRING ASSEMBLY	1				
	HEX CAP SCREW 1/4-20 x 1/2"	4				
	SERRATED FLANGE NUT 1/4-20	4				
7	SWIVEL ASSEMBLY	1	<u>S600682-1</u>	S600344-1	<u>S600682-1</u>	<u>S600682-1</u>
8	ROLLER BRACKET KIT WITH HARDWARE	1	S600002	S600002	S600002	S600002
	ROLLER BRACKET ASSEMBLY	1				
	SERRATED FLANGE NUT 3/8-16	4				
	SERRATED FLANGE HEX CAP SCREW 3/8-16 x 5/8"	4				
9	BUMPER STOP ASSEMBLY	1	NONE	<u>S3-HR1005</u>	NONE	<u>S4-HR1005</u>
10	HOSE ASSEMBLY	1	NONE	<u>S600160-2</u>	NONE	<u>S600451-50</u>
---	DIMENSION INDEX NUMBER		1	1	1	1